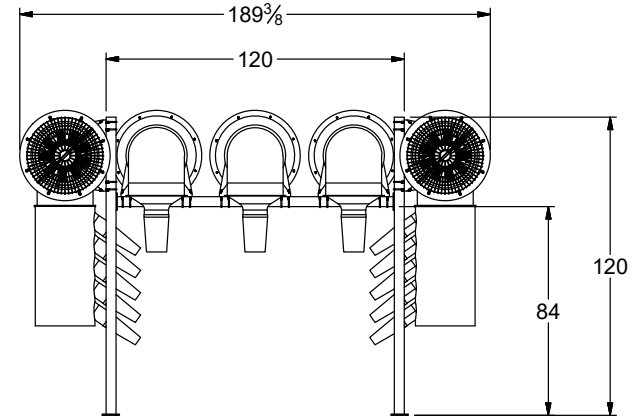
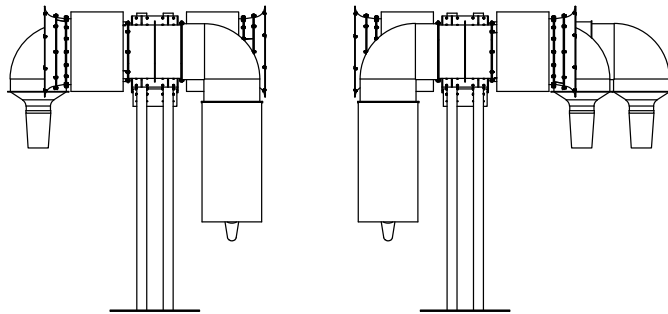
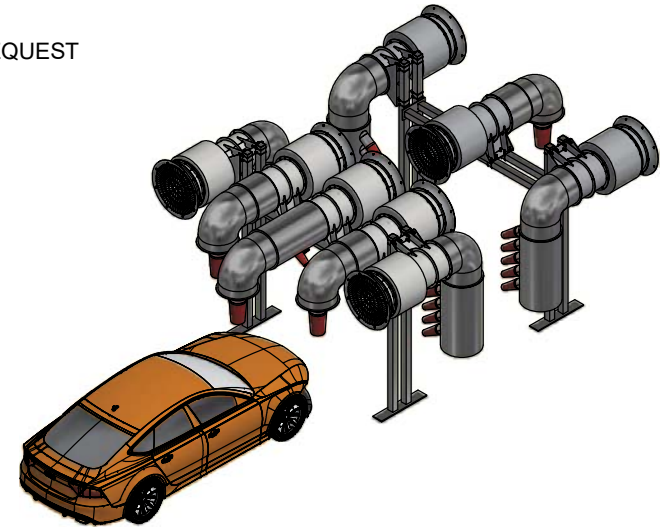


CUSTOM SIZES AVAILABLE UPON REQUEST



GENERAL NOTES:

1. UNLESS OTHERWISE SPECIFIED ALL DIMENSIONS ARE IN INCHES.
2. ALL FORMS ARE UP, UNLESS OTHERWISE SPECIFIED.
3. DIMENSIONS IN () ARE FOR REFERENCE ONLY.

NOTICE: This drawing is property of International Drying Corporation and is loaned subject to the condition that it shall not be reproduced, copied, loaned or submitted to outside parties without our consent.

DESCRIPTION:

PROJECT:

FILE NUMBER: _____
 SEQUENCE: _____
 DRAWN BY: bogucki
 DRAWN DATE: 3/16/2018
 ENGINEER: _____
 SCALE: _____

International Drying Corporation 2510 IL Route 176, Suite G Prairie Grove, IL 60014 Phone (800) 736-6412 Ari@InternationalDrying.com		PART NUMBER Stealth80
DWG. SIZE B	MATL: TOL: ±	REV.
MASS: 7123.6 lbmass		